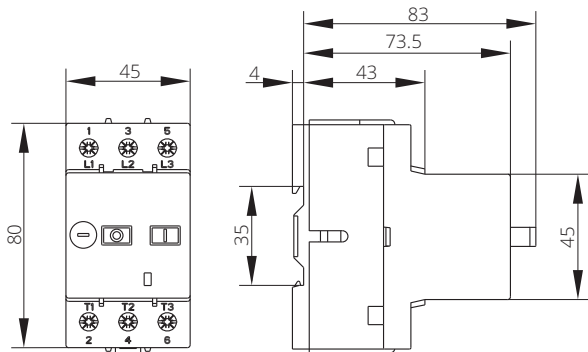
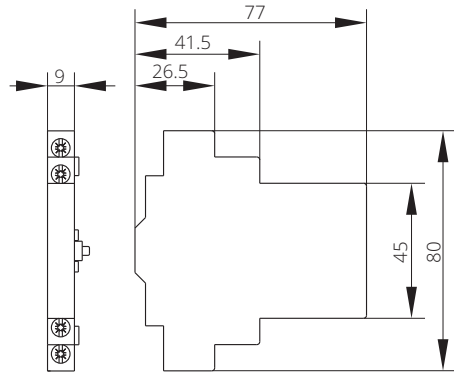


MOTOR PROTECTION CIRCUIT BREAKERS - MS25

MS25

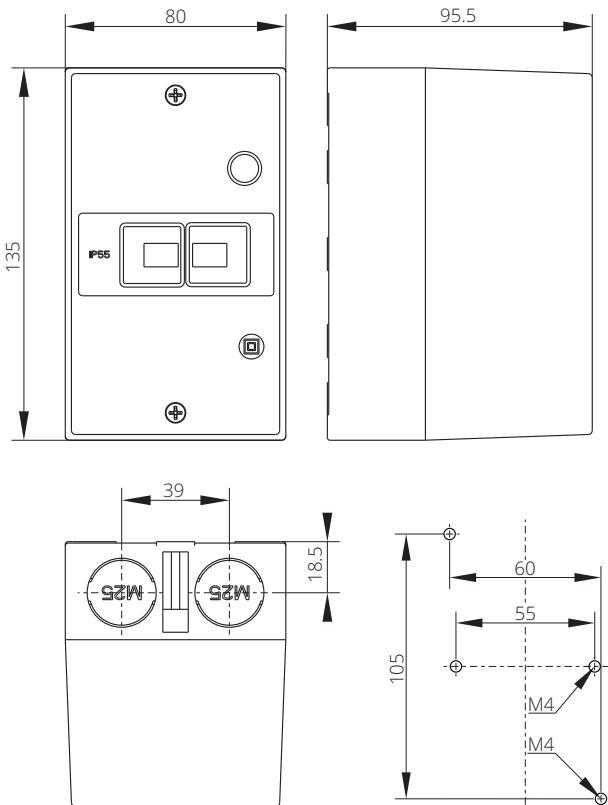


Auxiliary switch PS

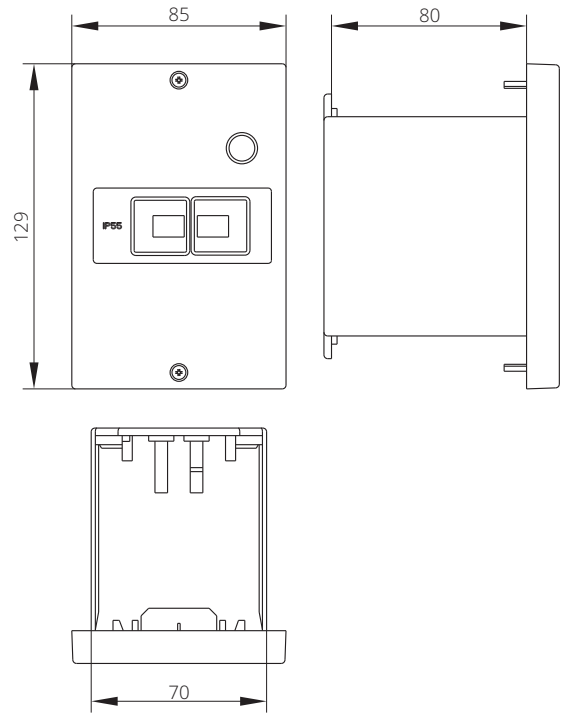


2

O-41/55



CP-41/55



DIMENSIONS